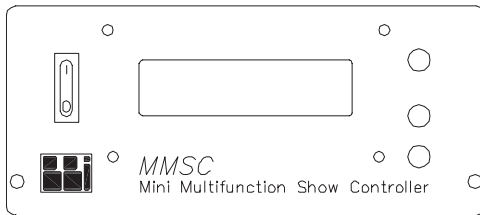
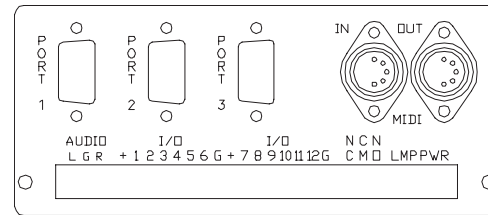


2 Channel Audio Player and Show Controller



Front Panel Detail



Rear Panel Detail

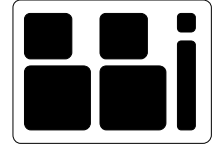
Key Features

- Stereo MP3 player sharing 16 MB (32 MB optional) of memory. Stores 16 min (33 min) of stereo audio at 128 kb/s. Software volume control
- Front panel display of messages and fault conditions. Front panel is reprogrammable in software
- 2 buttons used for front panel menu navigation and general purpose digital input
- Controls up to 3 serial devices: RS-232 (3 max), RS-422(2 max) and MIDI (in and out, 1 max)
- 12 opto-isolated logic I/O lines with pulse width modulation capability
- 4 I/O lines may be used as a quadrature encoder
- 1 relay closure (either NO or NC)
- Pluggable barrier strip connectors for easy field wiring
- Separate lamp and processor power supplies
- Front panel LEDs indicate power on and fault conditions
- RS-232/422 host port allows networking of multiple controllers
- Optional real-time-clock (RTC) enables show scheduling based on time of day and day of week.
- Showgram show programming language supports sophisticated I/O and synchronization. Showgram development tools run under Windows 2000, XP and NT.

Description

The BBI MP3-MMSC is a stand-alone audio source and controller for multimedia shows, museum exhibits and theme attractions. It plays one stereo MP3 program, with volume control. As a show controller, it operates DVD, LD and CD players, musical instruments, lighting controls and other serial devices using RS-232, RS-422 or MIDI interfaces. A single MP3-MMSC supports multiple simultaneous shows, limited only by the number of serial and digital I/O ports available on the unit. For instance, one unit can control multiple shows with a total of 3 serial devices. Only one show can use the audio player, however. The MP3-MMSC responds to closures (button pushes) or open collector logic on its digital I/O ports, or serial commands on its host or device ports. When used as outputs, the digital I/O ports drive tally lights or other low current devices and relays. PWM signals provide dimming of tally lights or driving of servo positioners.

Showgram show control programs are created using a dedicated development environment, which runs on a Windows PC. Showgrams are downloaded into non-volatile, reprogrammable memory in the controller via the host port. This connection can be RS-232 or RS-422, the latter allowing multiple controllers to be networked. This connection supports functions beyond programming, such as central scheduling and error reporting. The development environment has useful on-line debugging tools allowing execution of Showgram statements under host control.

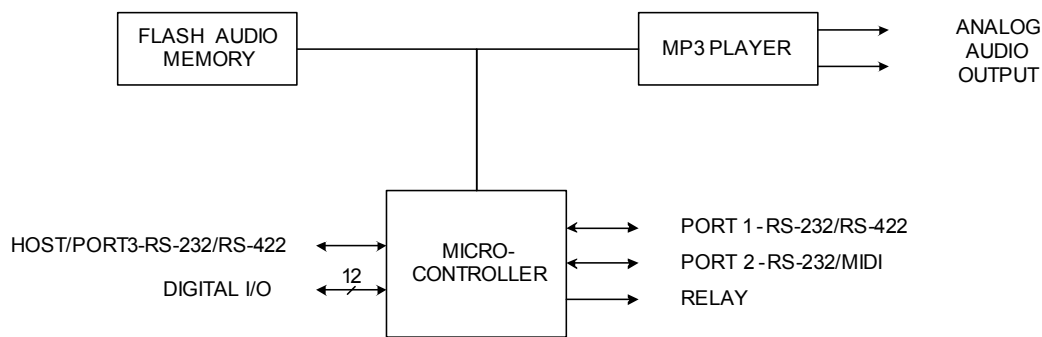


2 Channel Audio Player and Show Controller

Description (cont'd)

Under Showgram, the MP3 player can start at a specified frame and play a specified number of frames. Basic commands for serial controlled media players include spin-up, spin-down, seek, play and freeze frame functions. Advanced commands allow synchronous control of players with timing accurate to one video frame. General string communication on the serial ports is supported, as are logical operations on strings and variables.

Functional Block Diagram



Windows is a trademark of the Microsoft Corp. Specifications subject to change without notice.